

ELEMENT 3" LED WOODALIGN ADJUSTABLE DOWNLIGHT

920E3LED-WOOD

General Product Information:



SAVE THESE INSTRUCTIONS!



STANDARD INSTALLATION



INSTALL IN ADHERANCE WITH LOCAL ELECTRICAL CODES



DAMP LOCATION SAFE



DIMMABLE (LED, ELV, TRIAC & 0-10V Compatible)



CLEARED FOR USE (ANY HEIGHT) ABOVE FINISHED FLOOR



INSTALLATION LOCATION WITH CLEARANCE FOR TILT ADJUSTABILITY REQUIRED



DO NOT INSTALL INSULATION WITHIN 76MM (3 IN) OF ANY PART OF THIS LUMINAIRE

IMPORTANT! IN ORDER TO MAKE ELECTRICAL CONNECTIONS, REMOVE DUST COVER AND ENSURE ELECTRICAL WHIP IS ACCESSIBLE THROUGH APERTURE.

Required Tools:

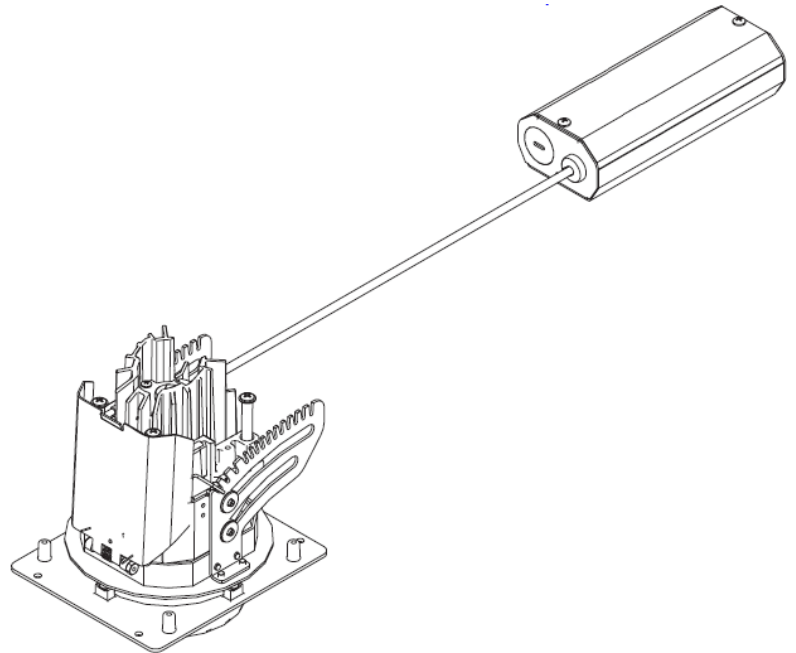
- Philips Screwdriver
- Chisel (for squaring inside corners)
- Wood Clamps
- Shims
- Routing Template
- Protective Eyewear
- Router
- Router Bits (Rabbit Bit & Bearing Setup [to cut 1/8" Wide & 1/4" deep]; 1/2" Router Bit with 5/8" Guide Bushing)

Safety Information:

CAUTION-RISK OF FIRE

This product must be installed in accordance with the applicable installation code by a person familiar with the construction and operation of the product and the hazards involved.

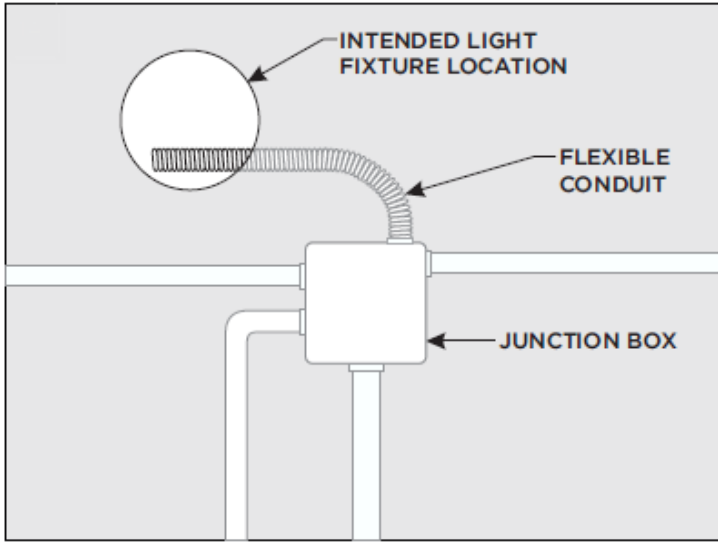
USE MINIMUM 90°C SUPPLY CONDUCTORS.



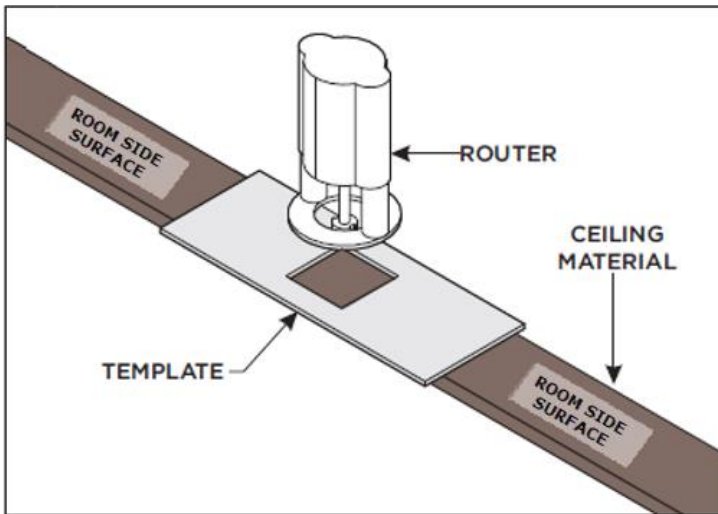
PLEASE NOTE:

- This product is suitable for new construction applications during the installation of a new, wooden ceiling.
- Choose an installation location with enough clearance to allow for tilt adjustability.
- If there is other ceiling material in place above the finished ceiling, ensure that there is a minimum clearance of 10" diameter above the ceiling to allow for tilt and rotation.

Preparing for Installation

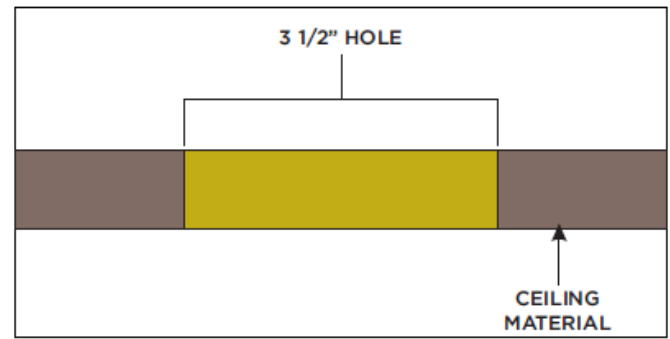


1. Provide enough flexible conduit to reach the intended light fixture location with an additional 12" of extra slack.
2. Cut the ceiling thickness to be between 5/8" and 7/8" thick. Wood thinner than 5/8" will require shims. Wood greater than 7/8" will require milling. 4 1/2" is the minimum plank with required.

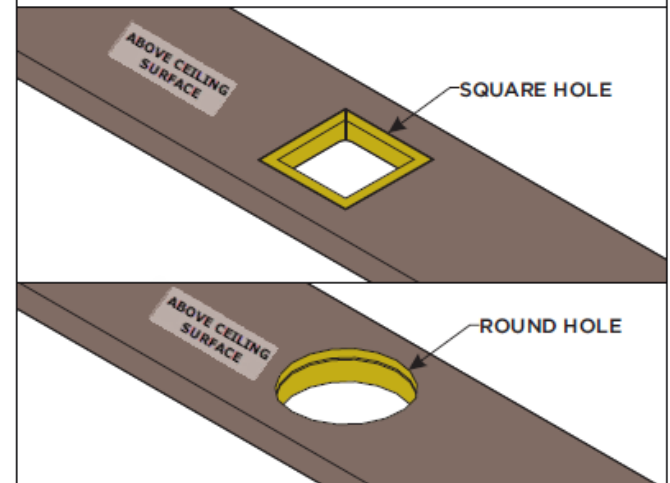
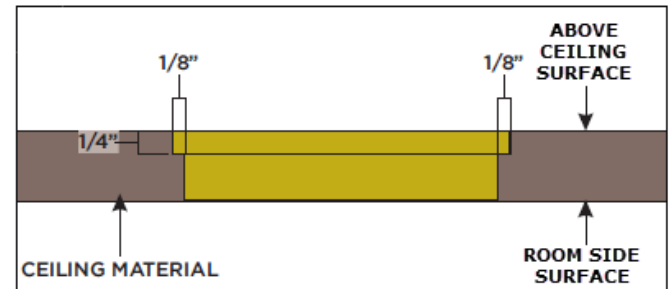


3. Use the router with guide bushing set to follow the inside of the supplied template.

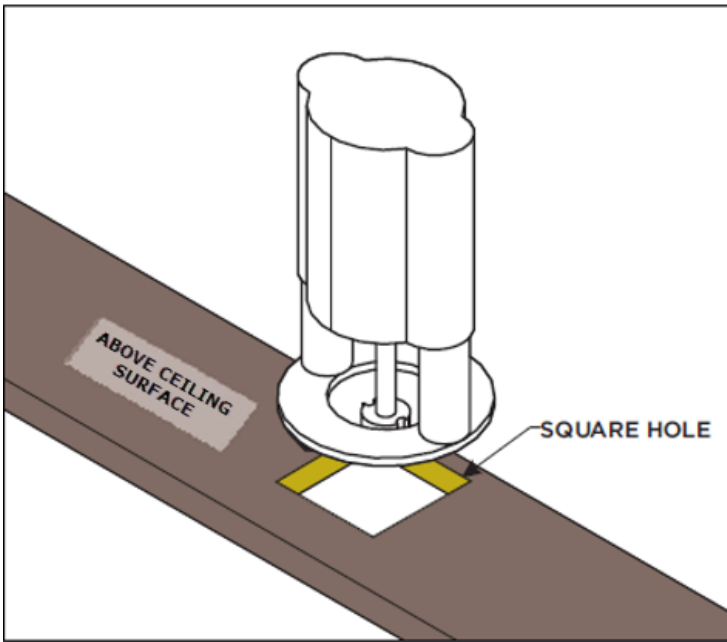
Please note that the 1/2" router bit with 5/8" guide bushing is recommended. The 1/8" router bit with a 1/4" guide bushing can be used to reduce the amount of clean out required in the square cutout corners.



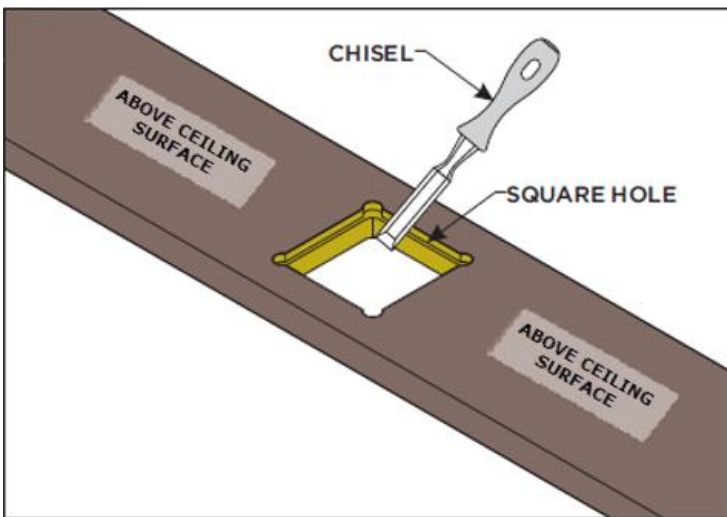
4. Cut the opening in the plank following best routing practices. The hole in the plank will be approximately 3.5" across.



5. Flip the ceiling material over to cut on the opposite, above ceiling surface.
6. Use router with rabbet bit set to 1/8" wide and 1/4" deep to create the recess required for the top of the ceiling material.

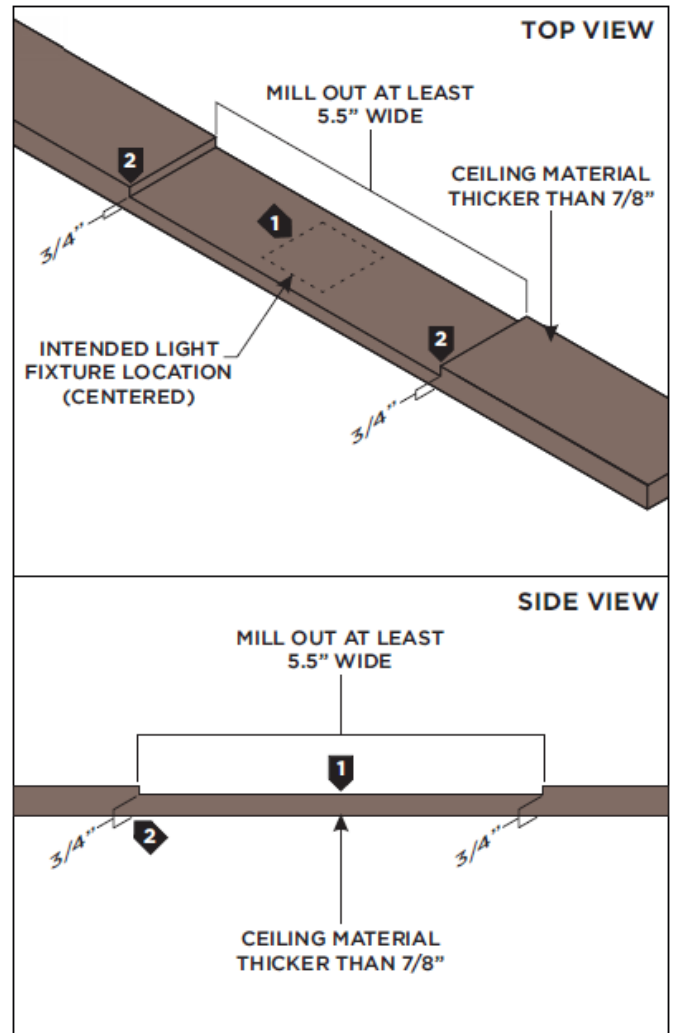


7. For square holes, clear out the corners left by the rabbet bit.



8. Square off the corners in the lower portion of the work to allow for a proper fit of the trim.

9. Cut ceiling material thicker than 7/8".

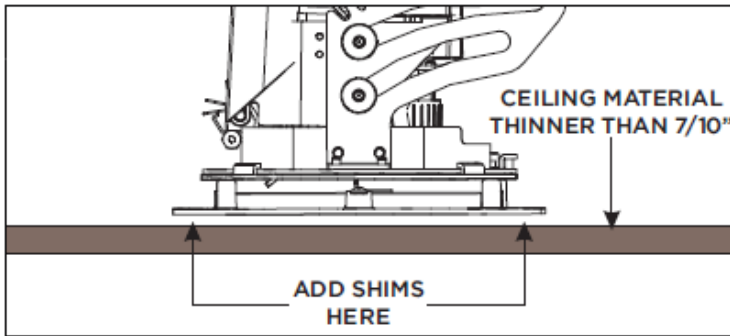


10. On the top side (above ceiling surface) of the ceiling material, mill out an area at least 5.5" wide centered on the intended location.

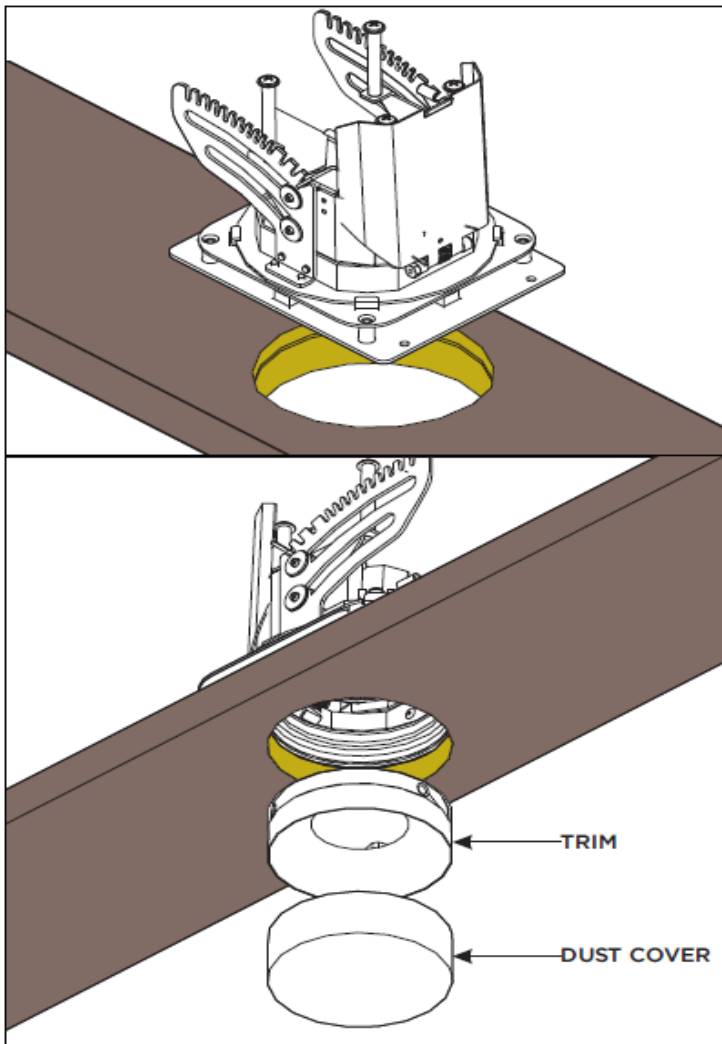
11. Cut to a depth so that the remaining ceiling material is 3/4" thick.

12. Flip the ceiling material over and follow the steps to cut the opening and rabbet the top groove.

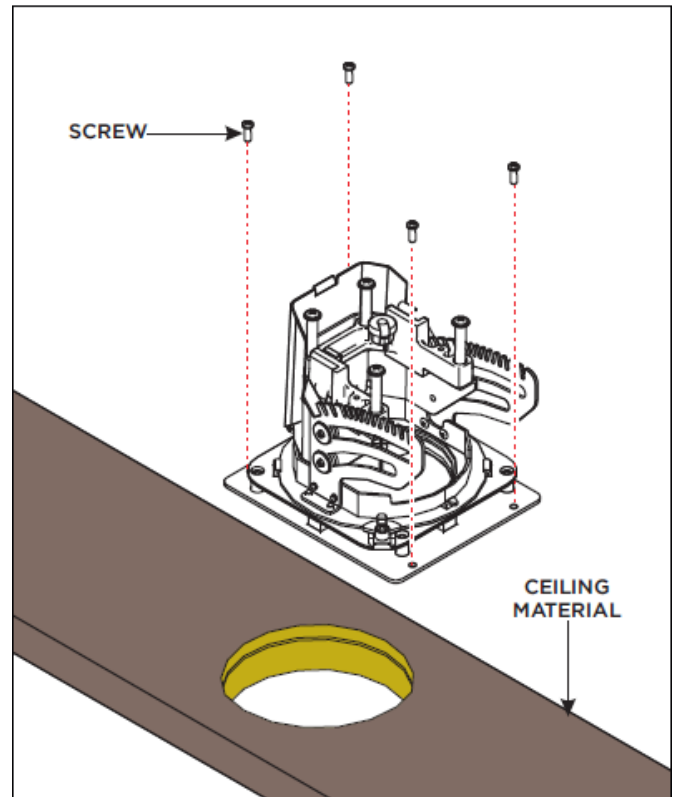
Mounting the Mechanism



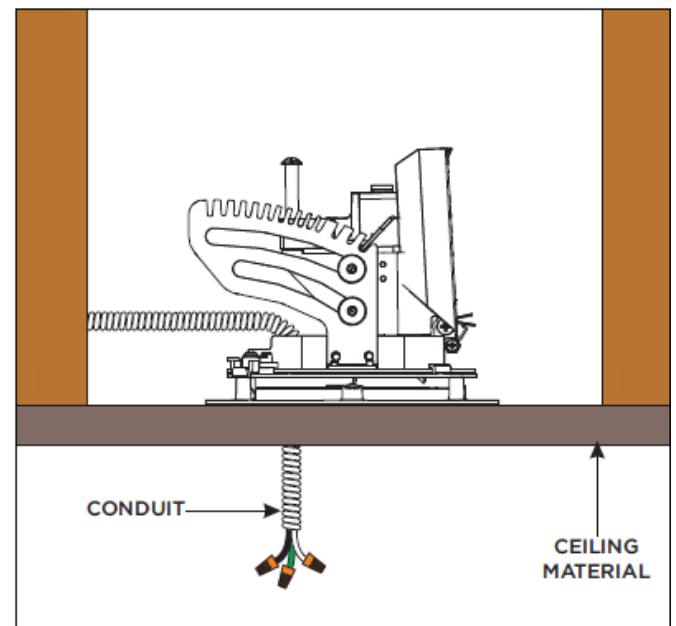
1. If the ceiling material is thinner than 7/10", place shims under the 4 holes in the mounting plate to raise it up to approximately 3/4" above the room-facing (bottom) surface.



2. Use the dust cover as a guide to locate the mechanism in the center of the opening. If a trim is available, remove the dust cover and test fit it to ensure the mechanism is centered over the opening. **Be sure to replace the dust covers once the fixture is installed.**

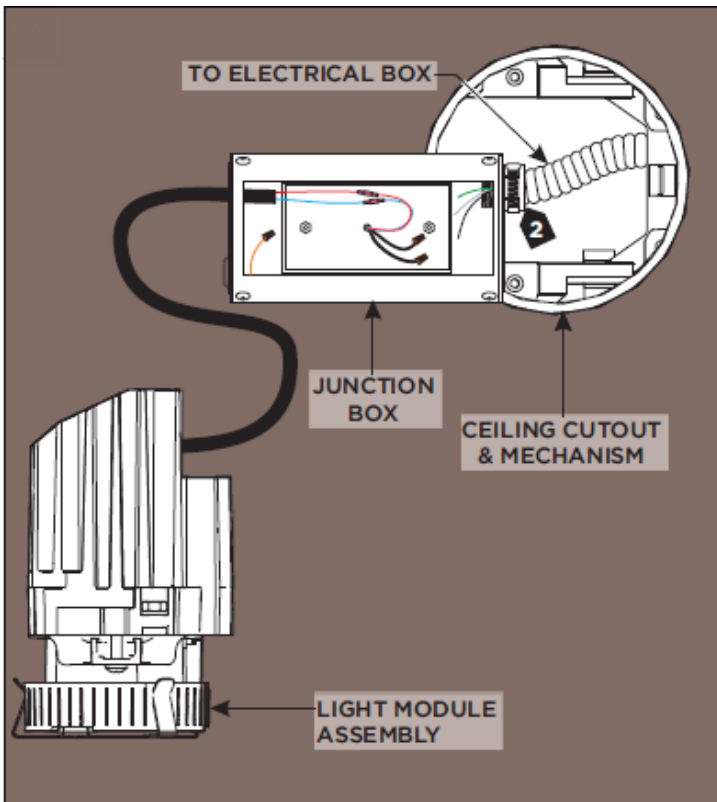


3. Attach the mechanism to the ceiling material with the four (4) Philips screws provided.

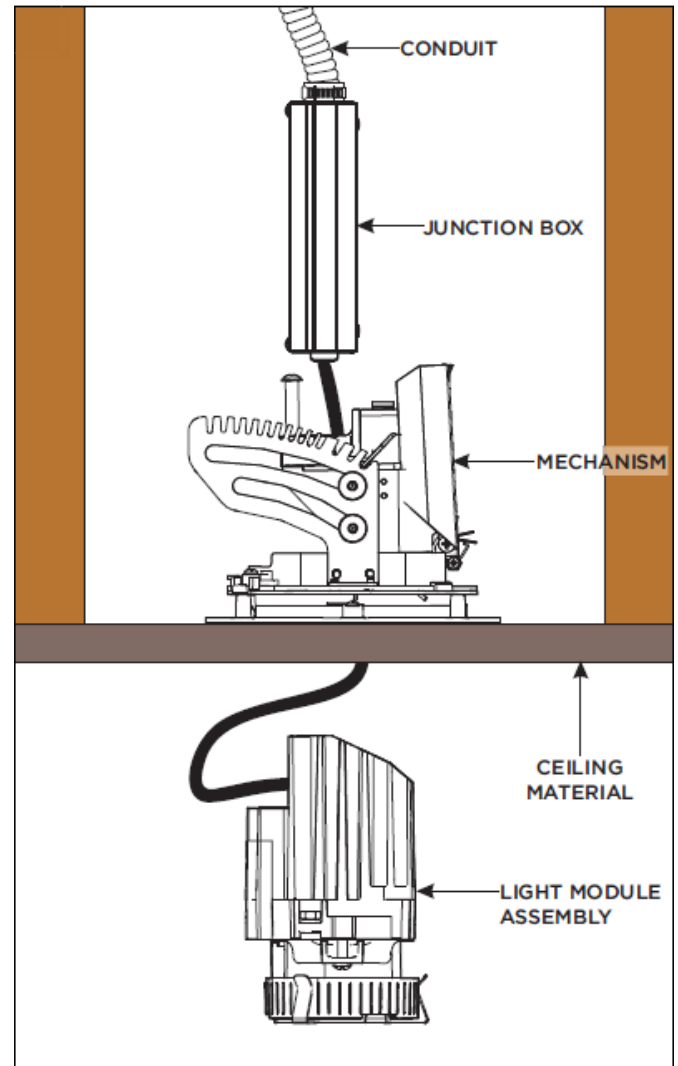
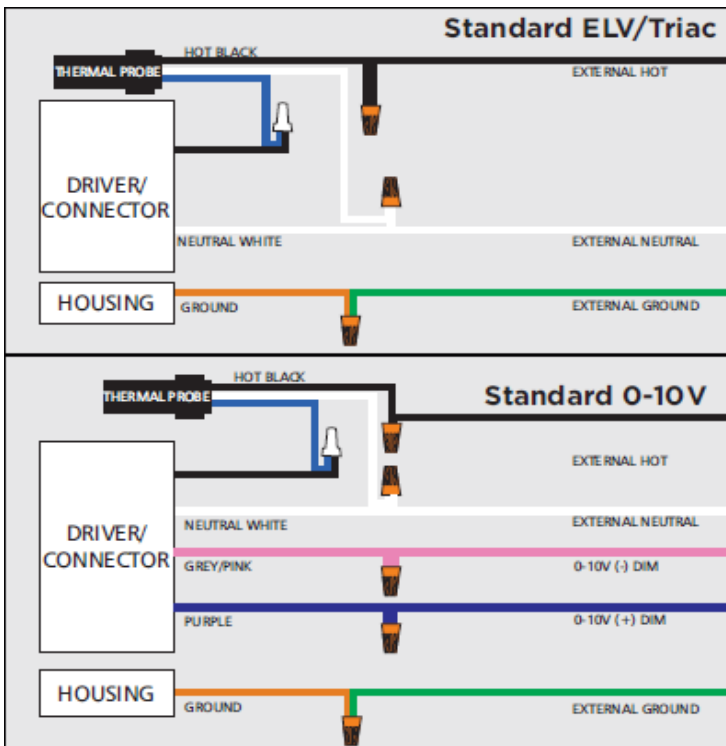


4. Mount the ceiling materials onto the ceiling following standard-practices.

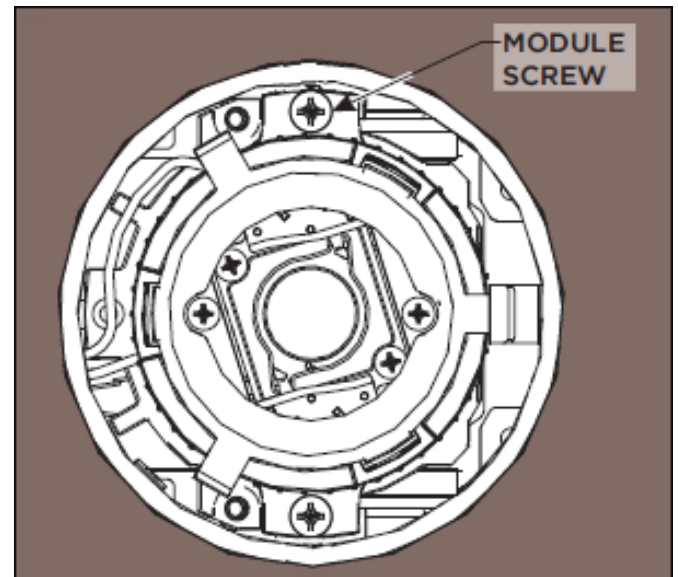
Connecting Power to Fixture



1. Remove the cover from the junction box.
2. Attach flexible conduit (installed in Preparing for Installation section) to the junction box.
3. Power the fixture using the following wiring diagrams according to the driver included with the fixture.



4. Reinstall the cover to the junction box.
5. Push supply conduit and junction box up through the center of the mechanism.

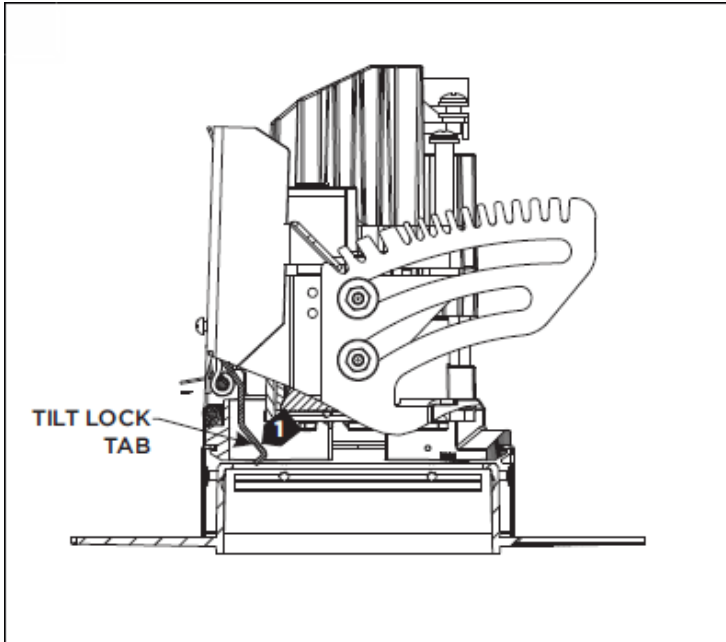


6. Mount the light module assembly to the mechanism using the two (2) module screws.

Adjusting the Tilt & Rotation

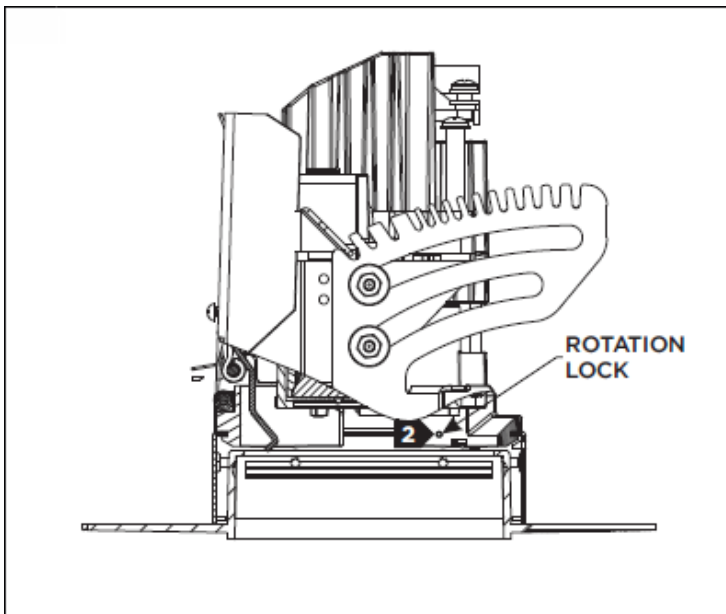
Please Note: Ensure the lamp housing has enough clearance for tilt AND rotation

Tilt



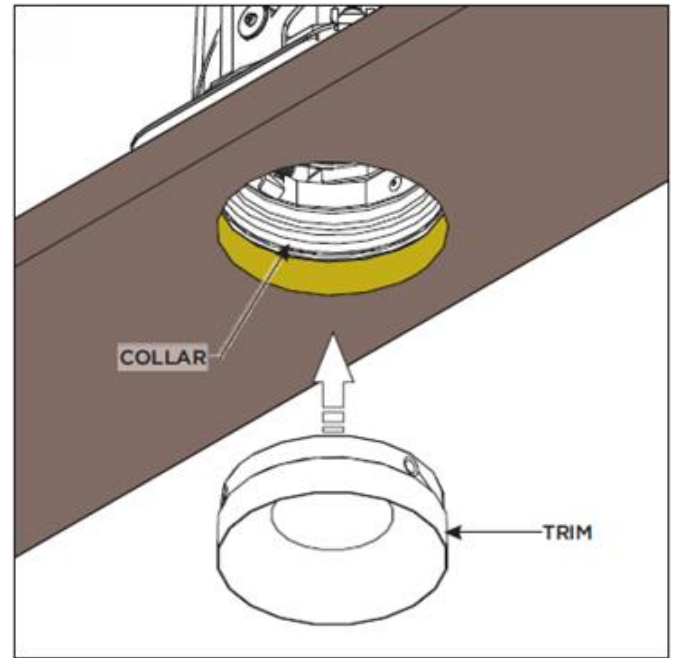
1. To unlock the tilt, pull tilt lock tab towards optic.

Rotation

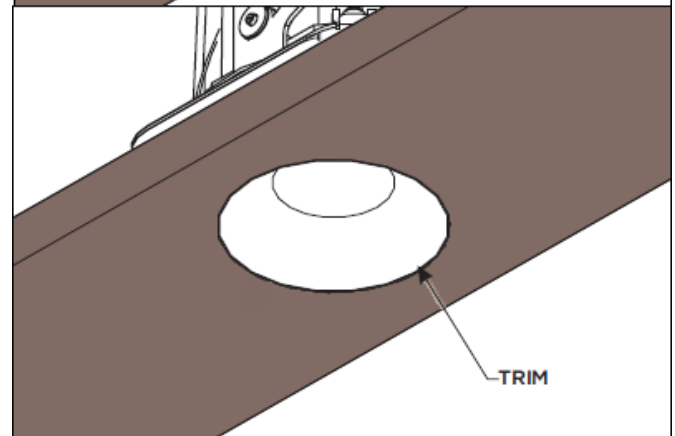
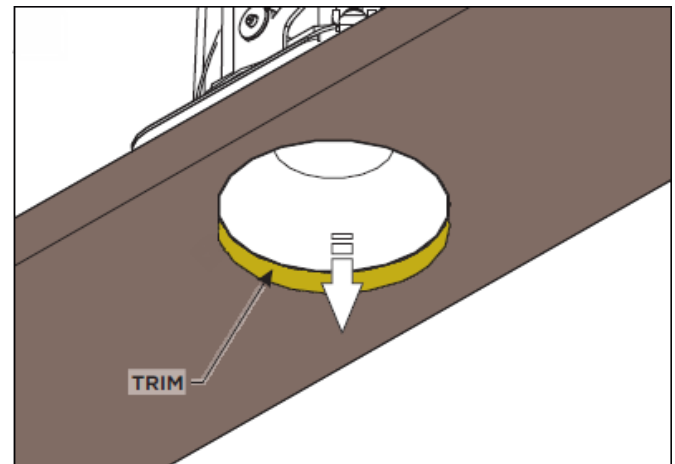


1. Rotate fixture to desired location.
2. Lock rotation by tightening set screw.

Installing the Trim



1. Push the trim up into the opening in the ceiling until it snaps into the sliding collar inside the mechanism.



2. If necessary, gently pull the trim and collar down until the trim is flush with the ceiling.